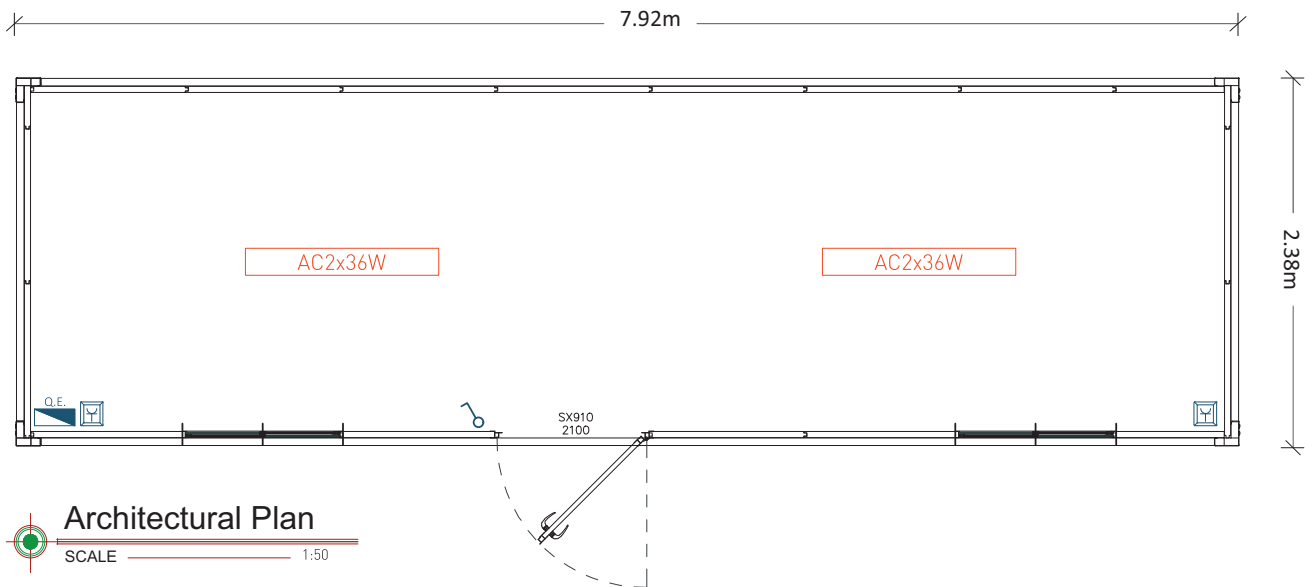


Main Elevation

SCALE 1:50



Architectural Plan

SCALE 1:50

Width (Ext.)	2380 mm.
Height (Int.)	2200 mm (Option 2500 mm).
Windows	Sliding lacquered white aluminium windows, 1000x1045mm.
Doors	Lacquered white steel isolated doors, 40 mm thick (according to drawing).
Panel	Sandwich 1000mm; thickness 40mm; shaped; lacquered.
Pavement type	Base: Galvanized structure with locking in omegas. Floor in MGO.
Pavement covering	Vinyl screen.
Coverage	Coverage sandwich panel, 30 mm thick.
Switch Board	1 Differential 25A/30mA, 1 breaker of 10A + 1 of 16A.
Sockets	Monophase and surface mounted socket (according to drawing).
Switch	Surface mount (according to drawing).